



LIGHTING

FLUORESCENT BI-PIN/MEDIUM BASE HID



Pendant



Ceiling



Wall



Stanchion

Class I, Div. 2, Groups A,B,C,D*
Class I, Zone 2, Groups IIC,IIB,IIA
Class II, Div. 1 & 2, Groups E,F,G*
Class III
Suitable for wet locations
Marine Rated (US Only)
NEMA 3, 4X



LISTED - Files E10514 and E91793 (Marine)



Certified - File LR11713

FEATURES-SPECIFICATIONS



Applications

CertiLite® MB fixtures are designed for installations where moisture, dirt, dust, corrosion and vibration may be present, or NEMA 3 and 4X areas where wind, water, snow or high ambients can be expected. They can be used in locations made hazardous by the presence of flammable vapors or gases or combustible dusts as defined by the NEC.

Typical applications include manufacturing plants, and certain chemical and petrochemical processing facilities, sewage treatment plants, off-shore and dockside installations, garages and storage facilities.

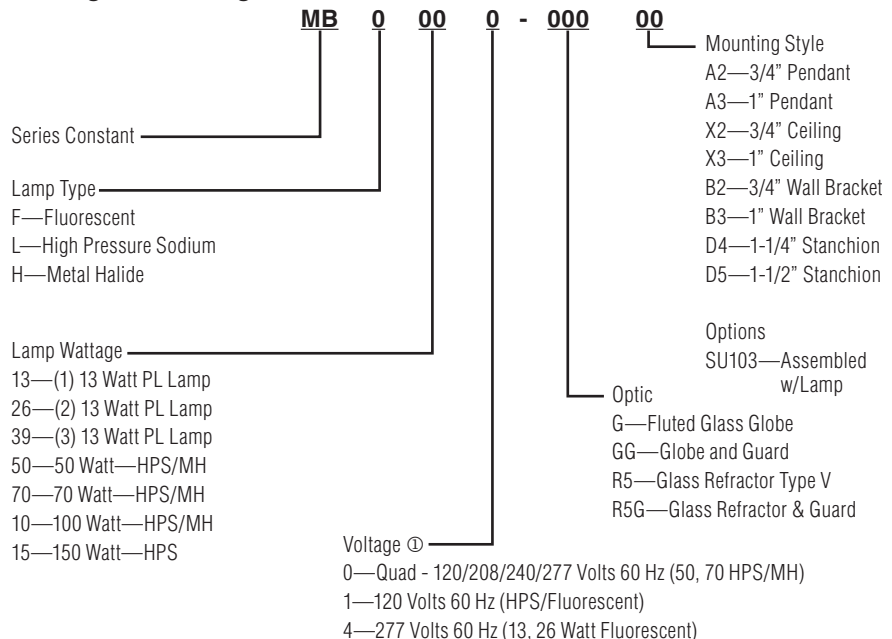
Features

- Ballast tank and splice box – corrosion resistant copper-free aluminum alloy
- Baked powder epoxy/polyester finish, electrostatically applied for complete, uniform corrosion protection
- All external hardware – stainless steel
- Guard – copper-free aluminum alloy
- Normally shipped as components for quick delivery
- Refractor guard – steel with corrosion resistant finish
- Reflector – lightweight, corrosion resistant fiberglass reinforced polyester
- Fluorescent models furnished with lamps. Energy efficient instant on white light (2700K). 10,000 hour lamp life
- HID lamp holders are E26 medium base

Compliances

- UL-1572 Standard for HID lighting fixtures
- UL-1570 Standard for Fluorescent fixtures
- UL Marine type lighting fixtures (HID models) UL-844 Standard for lighting fixtures for hazardous locations, Class I, Division 2; Class II, Divisions 1 and 2; Class III
- CSA C22.2 no. 137-M1981 electric luminaries for use in hazardous locations
- Enclosed and gasketed
- NEMA 3, 4X

Catalog Number Logic



Ⓛ Consult factory for available lamp and voltage combinations.

* See hazardous location application data on page L72 for limitations.



HIGH PRESSURE SODIUM, 50-150W MEDIUM BASE HID



FEATURES-SPECIFICATIONS

Pendant



PENDANT 50-150W HIGH PRESSURE SODIUM					
LAMP TYPE	LAMP WATTS/ANSI	HUB SIZE ^②	VOLTAGE 60 HZ ^①	CATALOG NUMBER ^②	
				GLOBE AND GUARD	REFRACTOR AND GUARD
HPS	50 (S68)	3/4"	120	MBL501-GGA2	MBL501-R5GA2
	70 (S62)	3/4"	120	MBL701-GGA2	MBL701-R5GA2
	100 (S54)	3/4"	120	MBL101-GGA2	MBL101-R5GA2
	150 (S55)	3/4"	120	MBL151-GGA2	MBL151-R5GA2

Ceiling



CEILING 50-150W HIGH PRESSURE SODIUM					
LAMP TYPE	LAMP WATTS/ANSI	HUB SIZE ^②	VOLTAGE 60 HZ ^①	CATALOG NUMBER ^②	
				GLOBE AND GUARD	REFRACTOR AND GUARD
HPS	50 (S68)	3/4"	120	MBL501-GGX2	MBL501-R5GX2
	70 (S62)	3/4"	120	MBL701-GGX2	MBL701-R5GX2
	100 (S54)	3/4"	120	MBL101-GGX2	MBL101-R5GX2
	150 (S55)	3/4"	120	MBL151-GGX2	MBL151-R5GX2

Wall



WALL 50-150W HIGH PRESSURE SODIUM					
LAMP TYPE	LAMP WATTS/ANSI	HUB SIZE ^②	VOLTAGE 60 HZ ^①	CATALOG NUMBER ^②	
				GLOBE AND GUARD	REFRACTOR AND GUARD
HPS	50 (S68)	3/4"	120	MBL501-GGB2	MBL501-R5GB2
	70 (S62)	3/4"	120	MBL701-GGB2	MBL701-R5GB2
	100 (S54)	3/4"	120	MBL101-GGB2	MBL101-R5GB2
	150 (S55)	3/4"	120	MBL151-GGB2	MBL151-R5GB2

Stanchion



STANCHION 50-150W HIGH PRESSURE SODIUM					
LAMP TYPE	LAMP WATTS/ANSI	HUB SIZE ^②	VOLTAGE 60 HZ ^①	CATALOG NUMBER ^②	
				GLOBE AND GUARD	REFRACTOR AND GUARD
HPS	50 (S68)	1-1/4"	120	MBL501-GGD4	MBL501-R5GD4
	70 (S62)	1-1/4"	120	MBL701-GGD4	MBL701-R5GD4
	100 (S54)	3/4"	120	MBL101-GGD4	MBL101-R5GD4
	150 (S55)	1-1/4"	120	MBL151-GGD4	MBL151-R5GD4
	150	1-1/4"	120	MBL151-GGD4	MBL151-R5GD4

① Catalog numbers shown are 120. Consult factory for other available voltages.

② Catalog numbers shown with 3/4" conduit openings (1-1/4" on stanchion mount) and includes globe and guard or IES type V 8" glass refractor and guard. See catalog logic for other possible configurations.

* See Hazardous Location Application Data on page L72 for limitations.



LIGHTING

METAL HALIDE, 50-100W MEDIUM BASE HID



ORDERING INFORMATION

Pendant



PENDANT 50-100W METAL HALIDE					
LAMP TYPE	LAMP WATTS/ANSI	HUB SIZE ^②	VOLTAGE 60 HZ ^①	CATALOG NUMBER ^②	
				GLOBE AND GUARD	REFRACTOR AND GUARD
MH ^③	50 (M110)	3/4"	120/208/240/277	MBH500-GGA2	MBH500-R5GA2
	70 (M98)	3/4"	120/208/240/277	MBH700-GGA2	MBH700-R5GA2
	100 (M90)	3/4"	120/208/240/277	MBH100-GGA2	MBH100-R5GA2

Ceiling



CEILING 50-100W METAL HALIDE					
LAMP TYPE	LAMP WATTS/ANSI	HUB SIZE ^②	VOLTAGE 60 HZ ^①	CATALOG NUMBER ^②	
				GLOBE AND GUARD	REFRACTOR AND GUARD
MH ^③	50 (M110)	3/4"	120/208/240/277	MBH500-GGX2	MBH500-R5GX2
	70 (M98)	3/4"	120/208/240/277	MBH700-GGX2	MBH700-R5GX2
	100 (M90)	3/4"	120/208/240/277	MBH100-GGX2	MBH100-R5GX2

Wall



WALL 50-100W METAL HALIDE					
LAMP TYPE	LAMP WATTS/ANSI	HUB SIZE ^②	VOLTAGE 60 HZ ^①	CATALOG NUMBER ^②	
				GLOBE AND GUARD	REFRACTOR AND GUARD
MH ^③	50 (M110)	3/4"	120/208/240/277	MBH500-GGB2	MBH500-R5GB2
	70 (M98)	3/4"	120/208/240/277	MBH700-GGB2	MBH700-R5GB2
	100 (M90)	3/4"	120/208/240/277	MBH100-GGB2	MBH100-R5GB2

Stanchion



STANCHION 50-100W METAL HALIDE					
LAMP TYPE	LAMP WATTS/ANSI	HUB SIZE ^②	VOLTAGE 60 HZ ^①	CATALOG NUMBER ^②	
				GLOBE AND GUARD	REFRACTOR AND GUARD
MH ^③	50 (M110)	1-1/4"	120/208/240/277	MBH500-GGD4	MBH500-R5GD4
	70 (M98)	1-1/4"	120/208/240/277	MBH700-GGD4	MBH700-R5GD4
	100 (M90)	1-1/4"	120/208/240/277	MBH100-GGD4	MBH100-R5GD4

① Metal Halide MB fixtures use quad-volt ballasts.
 ② Catalog numbers shown with 3/4" conduit openings (1-1/4" on stanchion mount) and include globe and guard or IES type V 8" glass refractor and guard. See catalog logic for other possible configurations.
 ③ 50, 70, 100 MH Ballasts include a separate ignitor and are PULSE circuits.
 * See Hazardous Location Application Data on page L72 for limitations.



COMPONENT PARTS/BALLAST DATA



MB MOUNTING BRACKETS				
CATALOG NUMBER				HUB SIZE
PENDANT	CEILING	WALL	STANCHION	
MBA-2	MBX-2	MBB-2	—	3/4
MBA-3	MBX-3	MBB-3	—	1
—	MBX-8*	—	—	M20
—	—	—	MBD-4	1-1/4
—	—	—	MBD-5	1-1/2

* MBX-8 furnished with 3 non-metallic plugs



MB BALLAST TANK ④			
LAMP TYPE	LAMP WATTAGE	VOLTAGE 60 HZ	CATALOG NUMBER
FL	13	120	MBF131
	26	120	MBF261
	39	120	MBF391
HPS	50	120	MBL501
	70	120	MBL701
	100	120	MBL101
	150	120	MBL151
MH	50	120/208/240/277	MBH500
	70	120/208/240/277	MBH700
	100	120/208/240/277	MBH100

④ Catalog numbers shown are 120 volt (except metal halide). Consult catalog number logic on page L67 and change sixth character to indicate other available voltages.

MB ACCESSORIES	
CATALOG NUMBER	DESCRIPTION
EMRS	MB medium base replacement socket (E26)
EBRS	MB Bi-Pin base replacement socket
MPL13	Replacement lamp for MBF and EBF series
ENY-2SET	3/4 ENY seal with set screw for sealed (Ex nR) pendant installations
ENY-3SET	1 ENY seal with set screw for sealed (Ex nR) pendant installations

MB BALLAST DATA										
LAMP	LAMP TYPE		STARTING AMPS	OPERATING AMPS	OPEN CIRCUIT AMPS	INPUT WATTS MAX	BALLAST CIRCUIT	REGULATIONS	MINIMUM START TEMPERATURE	
	WATTS	VOLTS - VAC							°F	°C
FL	13	120/277	.39/.35	.30/.3	—	16	NPF	—	0°	-18°C
HPS	50	120	0.75	0.55	0.9	60	HX-HPF	±5% Line voltage	-40°F	-40°C
	70	120	0.85	0.75	1.3	82	HX-HPF	±5% Line voltage	-40°F	-40°C
	100	120	1.50	1.05	1.8	115	HX-HPF	±5% Line voltage	-40°F	-40°C
	150	120	2.20	1.50	2.35	170	HX-HPF	±5% Line voltage	-40°F	-40°C
MH	50	120/208/240/277	.87/.51/.47/.39	.6/.35/.3/.25	1.6/.67/.57/.5	67	HX-HPF	±5% Line voltage ±12% Lamp watts	-20°F	-30°C
	70	120/208/240/277	.8/.5/.43/.39	.85/.5/.43/.37	1.7/1.04/.87/.78	95	HX-HPF	±5% Line voltage ±12% Lamp watts	-20°F	-30°C
	100	120/208/240/277	1.2/.8/.65/.6	1.15/.66/.58/.5	2.3/1.4/1.15/1.0	129	HX-HPF	±5% Line voltage ±12% Lamp watts	-20°F	-30°C

① Per lamp, max available amps @ 120VAC is 0.3A; max @ 277VAC is 0.2A

② Ballasts are High Power Factor 90%+.

③ Lamp watts within ANSI Trapezoid limitations.



LIGHTING

ACCESSORIES/DIMENSIONS

Globe



MBG

Refractor



VZRG1550

Guards



MBAG



VMRWG8

Reflectors



VMPSD17

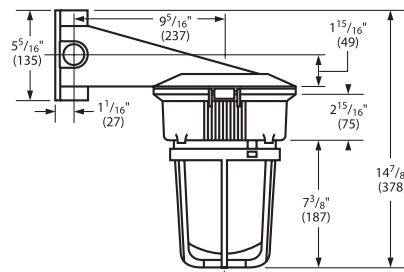
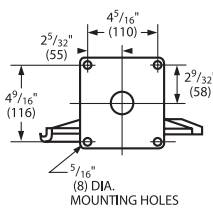
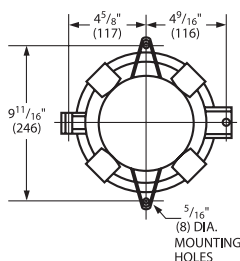
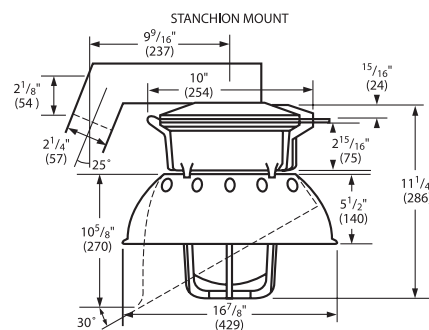
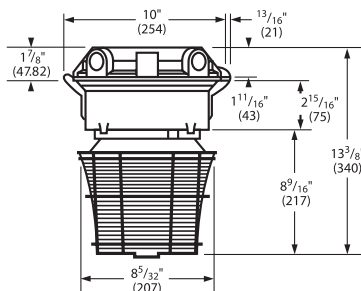


VMPA17

ORDERING INFORMATION

MB ACCESSORIES	
CATALOG NUMBER	DESCRIPTION
MBG	Heat and impact resistant globe
VZRG1550	(I.E.S. Type V) closed bottom 8 glass refractor
MBAG	Globe guard - Epoxy/polyester painted aluminum
VMRWG8	Refractor guard - plated steel
VMPSD17	Standard dome reflector (fiberglass reinforced polyester)
VMPA17	Angle reflector (fiberglass reinforced polyester)

Dimensions





APPLICATION DATA

MBF HAZARDOUS LOCATION DATA								
		CLASS I, DIVISION 2 GROUPS A, B, C, D ^① LAMP TEMP, W/GLOBE, GLOBE & REFLECTOR ^② OR 8" GLASS REFRACTOR		CLASS II, DIVISION 1 & 2 ^① MAXIMUM SURFACE TEMPERATURE W/GLOBE, GUARD ^③ & REFLECTOR ^② OR 8" GLASS REFRACTOR ^④		CLASS III, DIV. 1 & 2 ^① W/GLOBE, W/GUARD ^③ & REFLECTOR ^② OR 8" GLASS REFRACTOR		SUPPLY WIRE SUITABLE FOR °C
LAMP TYPE	LAMPS/ WATTS	RATED AMBIENT °C	UL/CSA TEMP I.D	UL/CSA TEMP I.D.	GROUP	UL/CSA		
PL	13	40	(T3B) 165°C	(T4) 135°C	E, F & G	YES		90
	26 (2x13)	40	(T3B) 165°C	(T4) 135°C	E, F & G	YES		90
	39 (3x13)	25	(T3A) 180°C	(T4) 135°C	E, F & G	YES		90

① Verify temperatures for suitability for intended use.

② Includes both standard dome and angle reflectors.

③ Guard required for Class II, Division 1 and Class III, Division 1 applications.

④ Note: 8 inch glass refractor not CSA certified for Class II, Division 1 and Class III, Divisions 1 installations.

MB HAZARDOUS LOCATION DATA												
LAMP		RATED AMBIENT °C	CLASS I, DIV. 2, GROUPS A, B, C, D ^① LAMP TEMPERATURES			CLASS II, DIV. 1 & 2, GROUPS E, F, G ^{③⑤} MAXIMUM SURFACE TEMPERATURES			CLASS III, DIV. 1 & 2 ^③			SUPPLY WIRE SUITABLE FOR °C
TYPE	WATTAGE		WITHOUT ^② REFLECTOR	WITH ^② REFLECTOR	WITH REFLECTOR	WITHOUT ^② REFLECTOR	WITH ^② REFLECTOR	WITH REFRACTOR	WITHOUT ^④ REFLECTOR	WITH ^② REFLECTOR	WITH REFRACTOR	
HPS	50	40	215°C(T2D)	215°C(T2D)	215°C(T2D)	120°C(T4A)	135°C(T4)	120°C(T4A)	YES	YES	YES	75
	50	55	230°C(T2C)	230°C(T2C)	230°C(T2C)	135°C(T4)	160°C(T3C)	135°C(T4)	YES	YES	YES	90
	50	65	230°C(T2C)	230°C(T2C)	230°C(T2C)	160°C(T3C)	160°C(T3C)	160°C(T3C)	YES	YES	YES	90
	70	40	260°C(T2B)	260°C(T2B)	230°C(T2C)	120°C(T4A)	135°C(T4)	120°C(T4A)	YES	YES	YES	75
	100	40	280°C(T2A)	280°C(T2A)	280°C(T2A)	160°C(T3C)	160°C(T3C)	160°C(T3C)	YES	YES	YES	90
	150	40	325°C(T1)	325°C(T1)	325°C(T1)	—	—	160°C(T3C)	NO	NO	YES	110
MH	150	40	325°C(T1)	325°C(T1)	325°C(T1)	180°C(T3A)	200°C(T3)	—	NO	NO	NO	110
	50	40	230°C(T2C)	230°C(T2C)	230°C(T2C)	160°C(T3C)	160°C(T3C)	160°C(T3C)	YES	YES	YES	90
	70	40	230°C(T2C)	230°C(T2C)	230°C(T2C)	160°C(T3C)	160°C(T3C)	160°C(T3C)	YES	YES	YES	90
	100	40	280°C(T2A)	280°C(T2A)	280°C(T2A)	160°C(T3C)	160°C(T3C)	160°C(T3C)	YES	YES	YES	85

① Verify temperatures for suitability for intended use.

② Includes both standard dome and angle reflectors.

③ Guard required for Class II, Division 1 and Class III applications.

④ Based on luminaire with globe and guard only.

⑤ 150 watt HPS—Groups E, F only with or without reflector and Groups E, F and G with refractor.